

# Barefoot Farm Outdoor Bench with Arbor

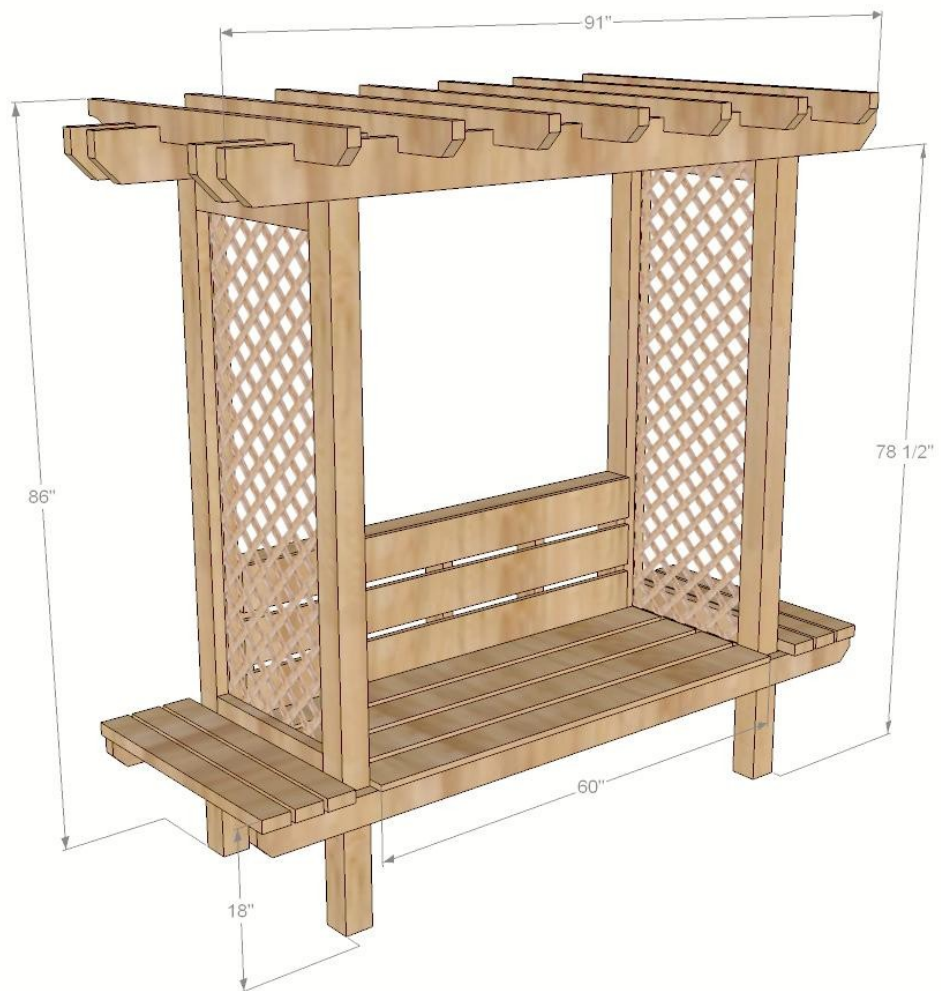
Project Type: [Outdoor](#)

Room: [Outdoor](#)

Skill Level: [Intermediate](#)

Estimated Cost: [\\$150 - \\$200](#)

## Dimensions:



- 4 - 4x4 posts @ 84" (legs)
- 4 - 2x4 @ 21" (side supports)
- 2 - 2x4 @ 91" (bottom seat front/back aprons)
- 4 - 2x6 @ 91" (top lower rafters)
- 7 - 2x4 @ 48" (top upper rafters)
- 4 - 2x4 @ 28" (seat supports)
- 2 - 2x4 @ 60" (back support framing)
- 5 - 2x4 @ 15-1/2" (back support framing) 7 - 1x6 (or 2x6) @ 60" (seat boards)
- 6 - 2x4 @ 33" (side shelves)

# Barefoot Farm Outdoor Bench with Arbor

---

NOTE: Recommend exterior screws

## Common Materials:

75mm - 100mm Screws

## Tools:

---



Kreg Jig

[20]



Drill

[21]



Circular Saw

[22]



Jigsaw

[23]



Sander

[24]



Drill Bit Set

## Barefoot Farm Outdoor Bench with Arbor

---

### Cut List:

4 - 4 x 4 x 8

12 - 2 x 4 x 8

1 - 2 x 4 x 103 - 2 x 6 x 10

5 - 2 x 6 x 8

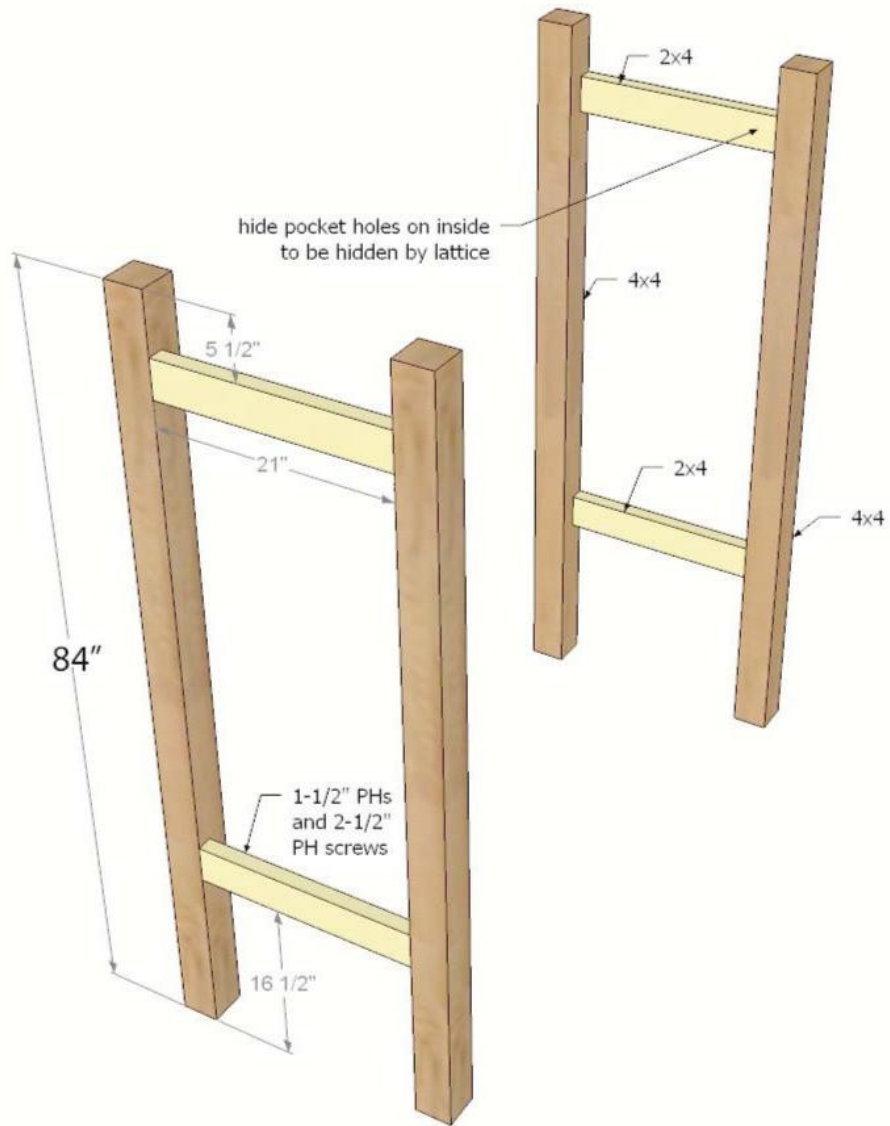
1 - 4 x 8 lattice panel

### General Instructions:

Please read through the entire plan and all comments before beginning this project. It is also advisable to review the Getting Started Section. Take all necessary precautions to build safely and smartly. Work on a clean level surface, free of imperfections or debris. Always use straight boards. Check for square after each step. Always predrill holes before attaching with screws. Use glue with finish nails for a stronger hold. Wipe excess glue off bare wood for stained projects, as dried glue will not take stain. Be safe, have fun, and ask for help if you need it. Good luck!

# Barefoot Farm Outdoor Bench with Arbor

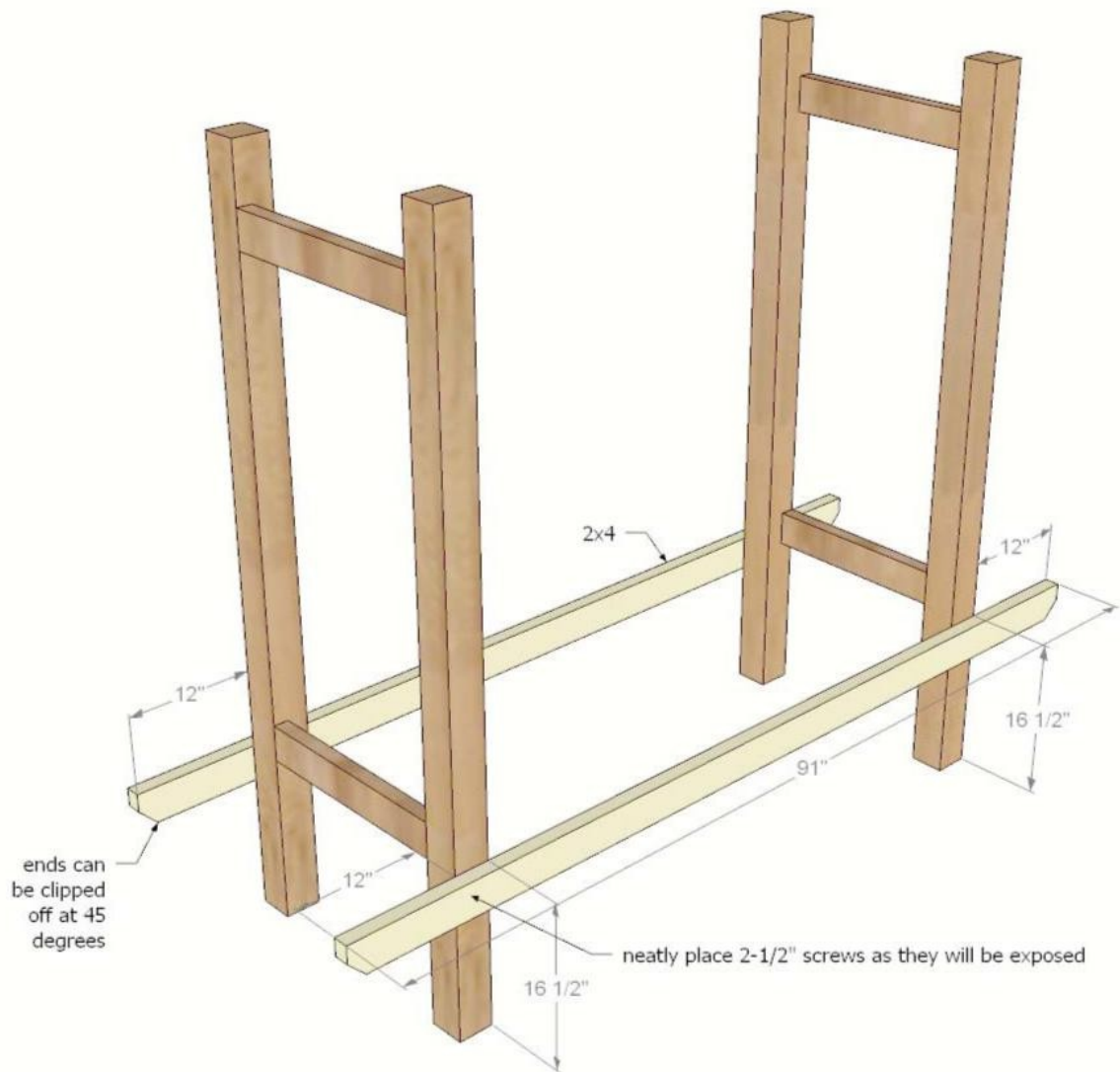
## Step 1



Start by building the two ends by attaching the side pieces to the posts with screws.

# Barefoot Farm Outdoor Bench with Arbor

## Step 2



Next, attach the front and back seat aprons to the outsides of the posts.

# Barefoot Farm Outdoor Bench with Arbor

## Step 3



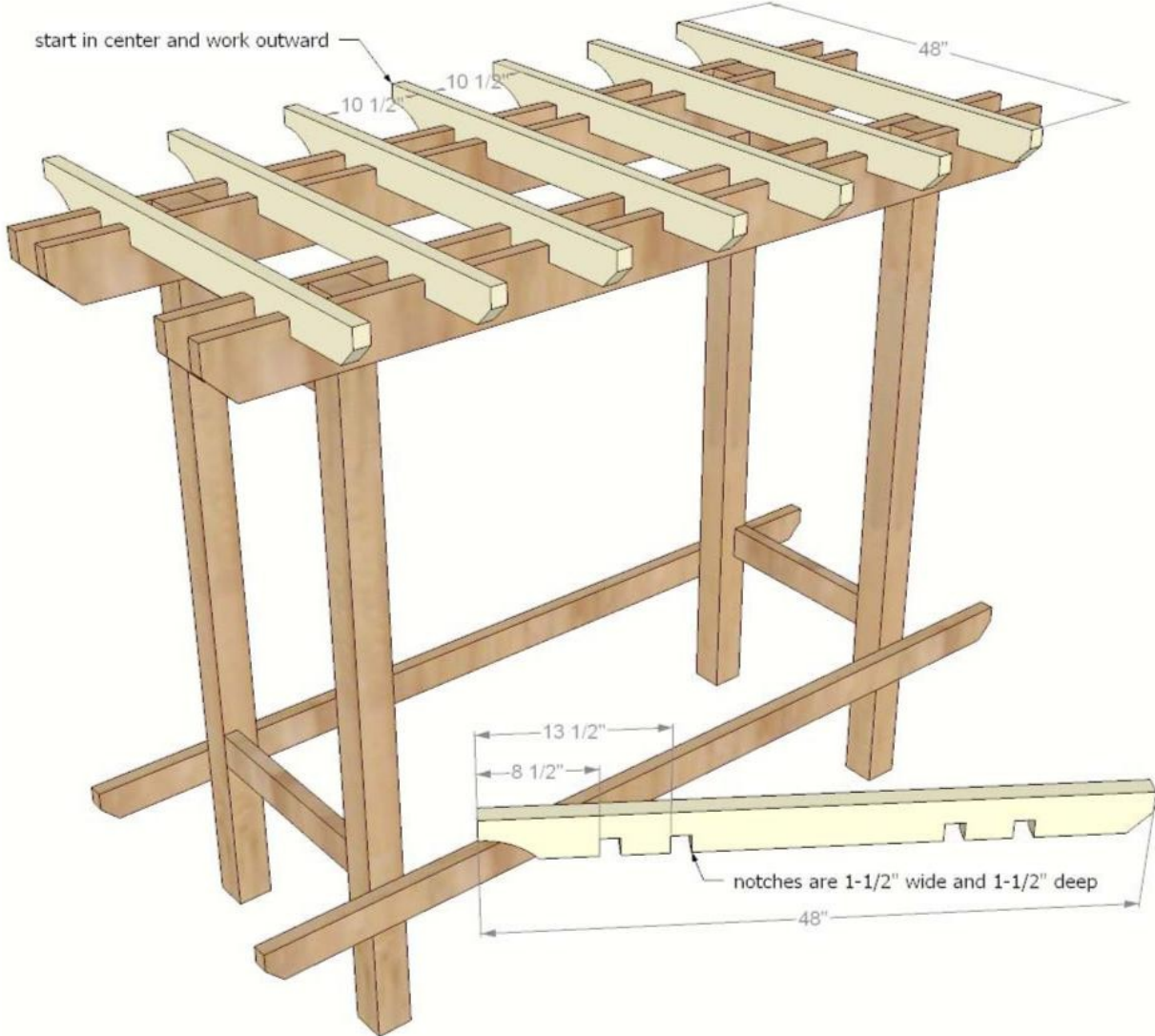
Attach lower rafters to tops of posts.

TIP: Pre-drill holes and start screws on ground first.



# Barefoot Farm Outdoor Bench with Arbor

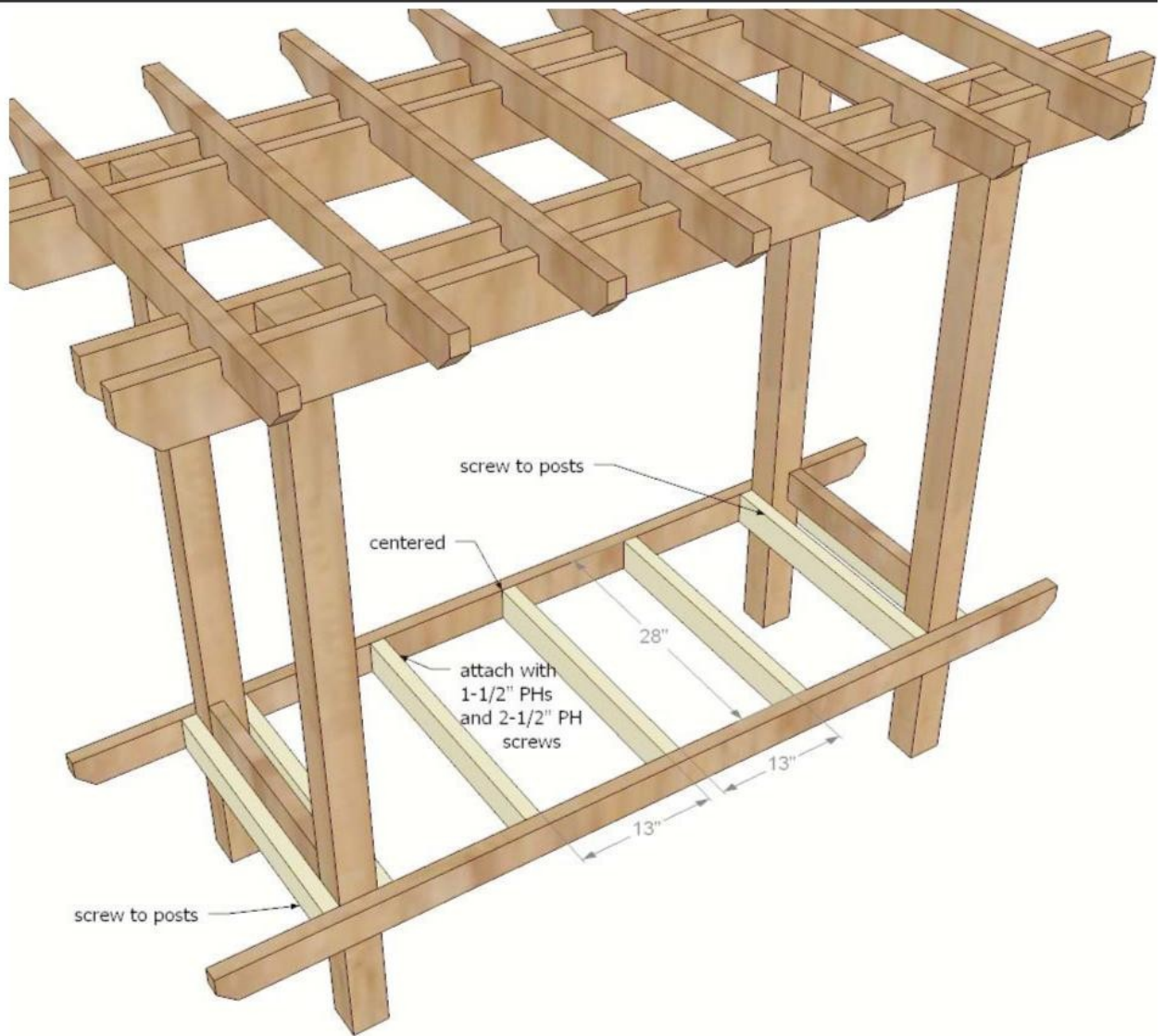
## Step 4



Cut the upper row of rafters and notch and place on top. Screw down.

# Barefoot Farm Outdoor Bench with Arbor

## Step 5

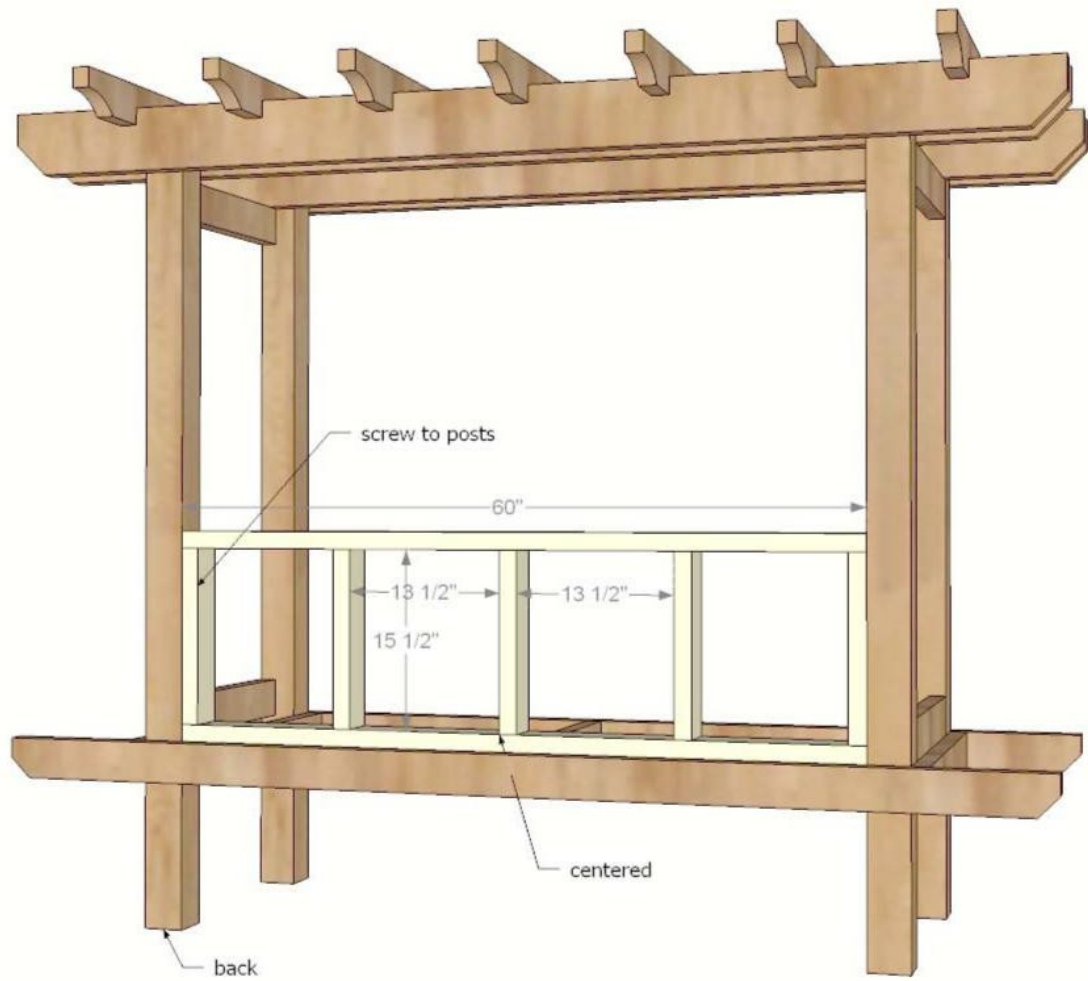


Add seat framing either with pocket holes or 2-1/2" countersunk screws.



# Barefoot Farm Outdoor Bench with Arbor

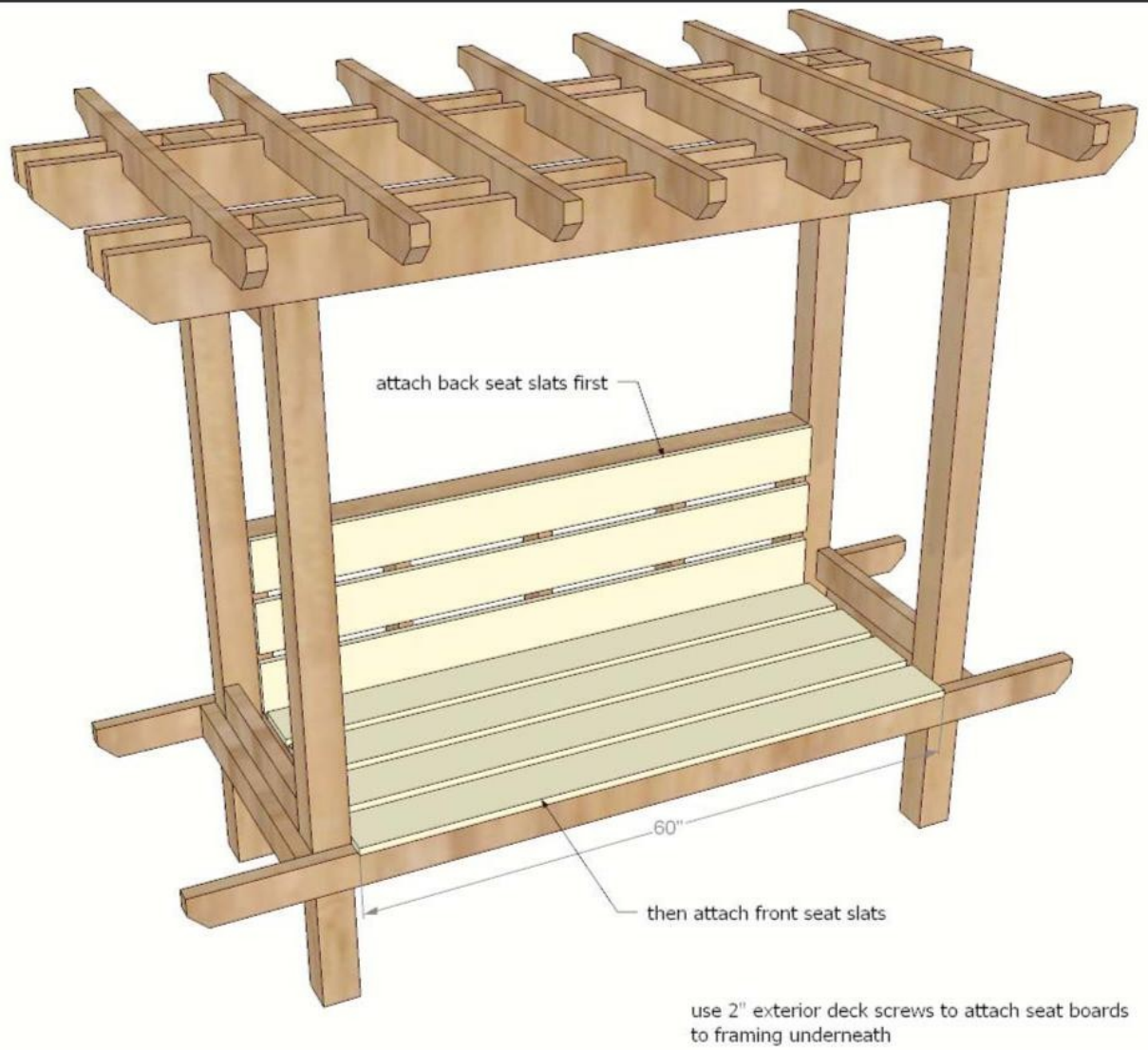
## Step 6



Build back seat framing and attach between posts and top of back seat support.

# Barefoot Farm Outdoor Bench with Arbor

Step 7



Place seat boards on top of seat, and to back seat framing.

## Barefoot Farm Outdoor Bench with Arbor

---

### Step 8

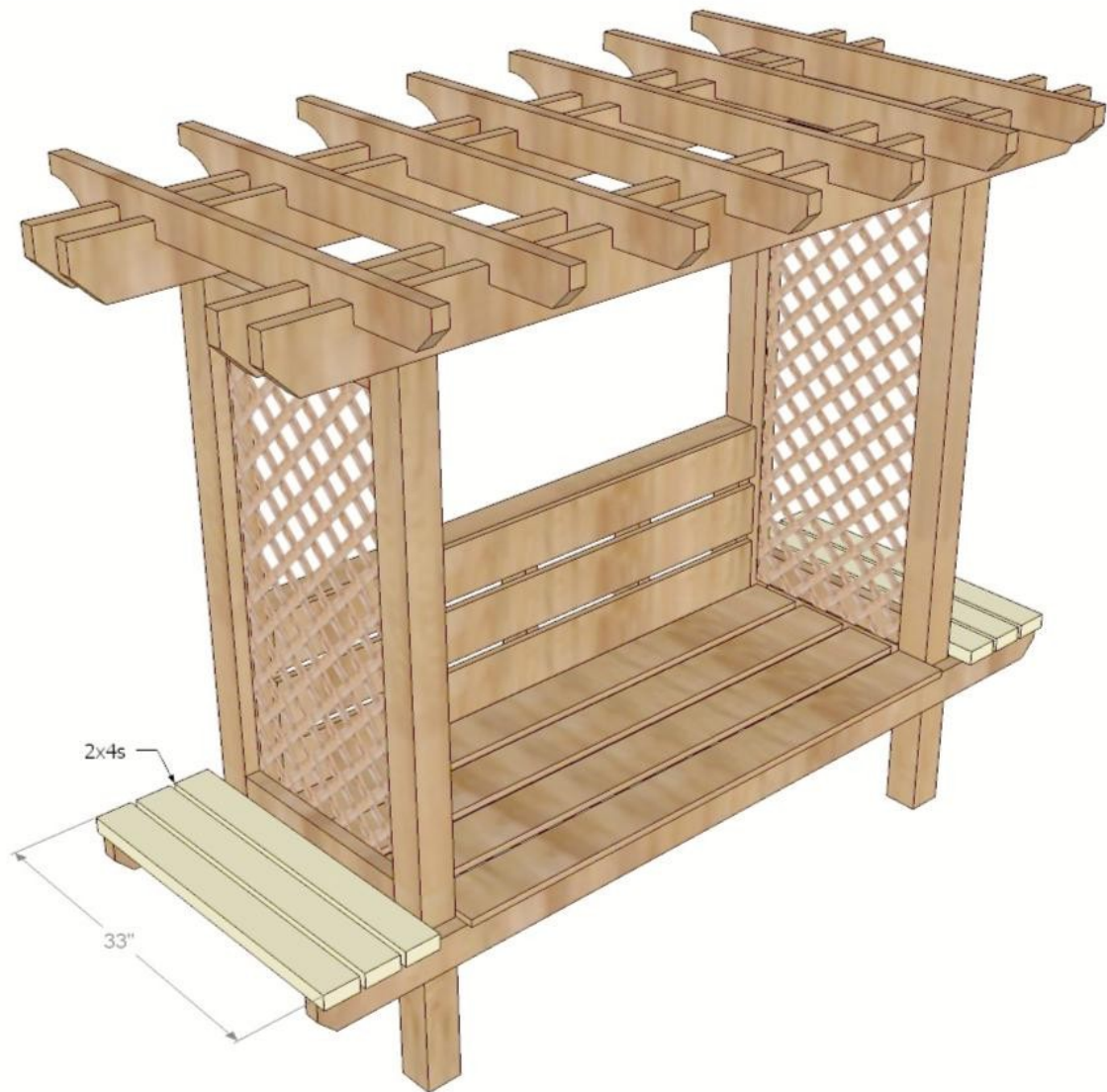


Add lattice to inside of the sides - you may wish to add additional wood trim supports around the lattice panels.

## Barefoot Farm Outdoor Bench with Arbor

---

### Step 9



### Step 9 Instructions:

Finish off ends with boards (perfect spot for a plant!)

**Finishing Instructions:** Fill all holes with wood filler and let dry. Apply additional coats of wood filler as needed. When wood filler is completely dry, sand the project in the direction of the wood grain with 120 grit sandpaper. Vacuum sanded project to remove sanding residue. Remove all sanding residue on work surfaces as well. Wipe project clean with damp cloth. It is always recommended to apply a test coat on a hidden area or scrap piece to ensure color evenness and adhesion. Use primer or wood conditioner as needed.